

Evaluation Kit

APPLICABLE PARTS (SOLD SEPARATELY)

- PA90
- PA91
- PA92
- PA93
- PA98

INTRODUCTION

This easy-to-use kit provides a platform for the evaluation of linear power amplifiers circuits using the PA90/PA91/PA92/PA93/PA98 pin-out. With ample breadboarding area it is flexible enough to analyze a multitude of standard or proprietary circuit configurations. Critical connections for power supply bypassing, compensation and current limiting are pre-wired. Components not usually readily available in engineering labs are provided. External connections to the evaluation kit can be made via the terminals at the edge of the circuit board. These terminal pads are suitable for standard banana jacks or direct soldering of wires. The schematic is shown in Figure 2.

Figure 1: PCB Layout

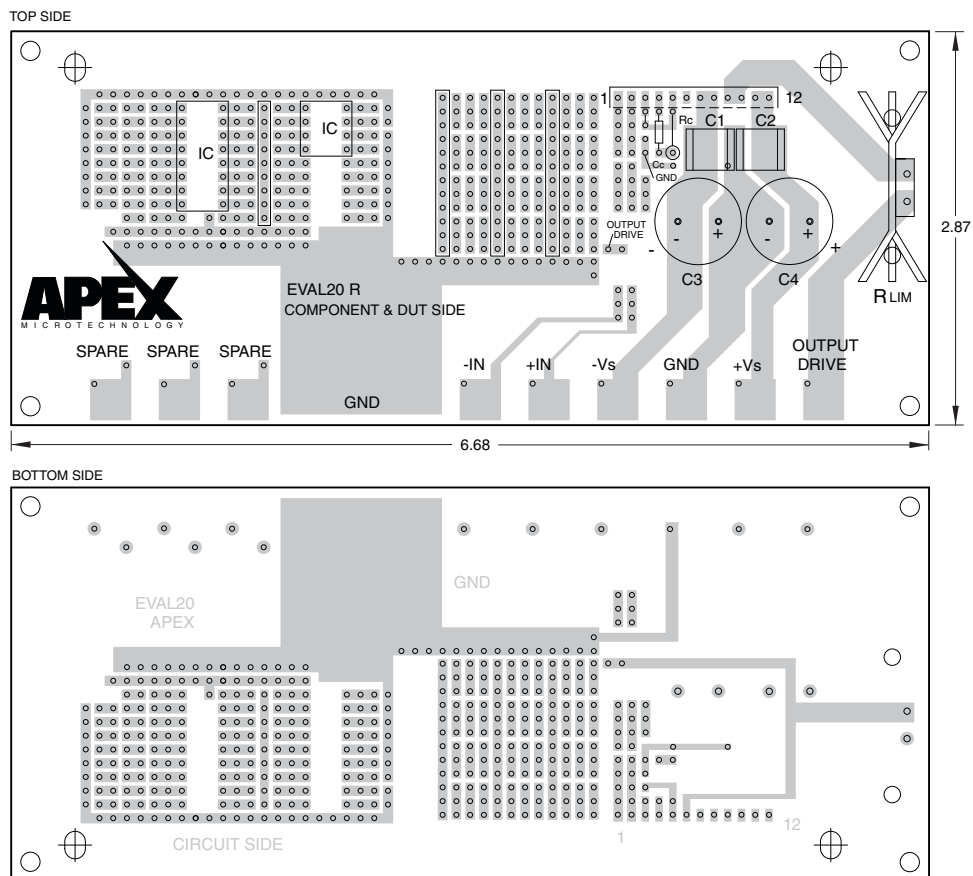
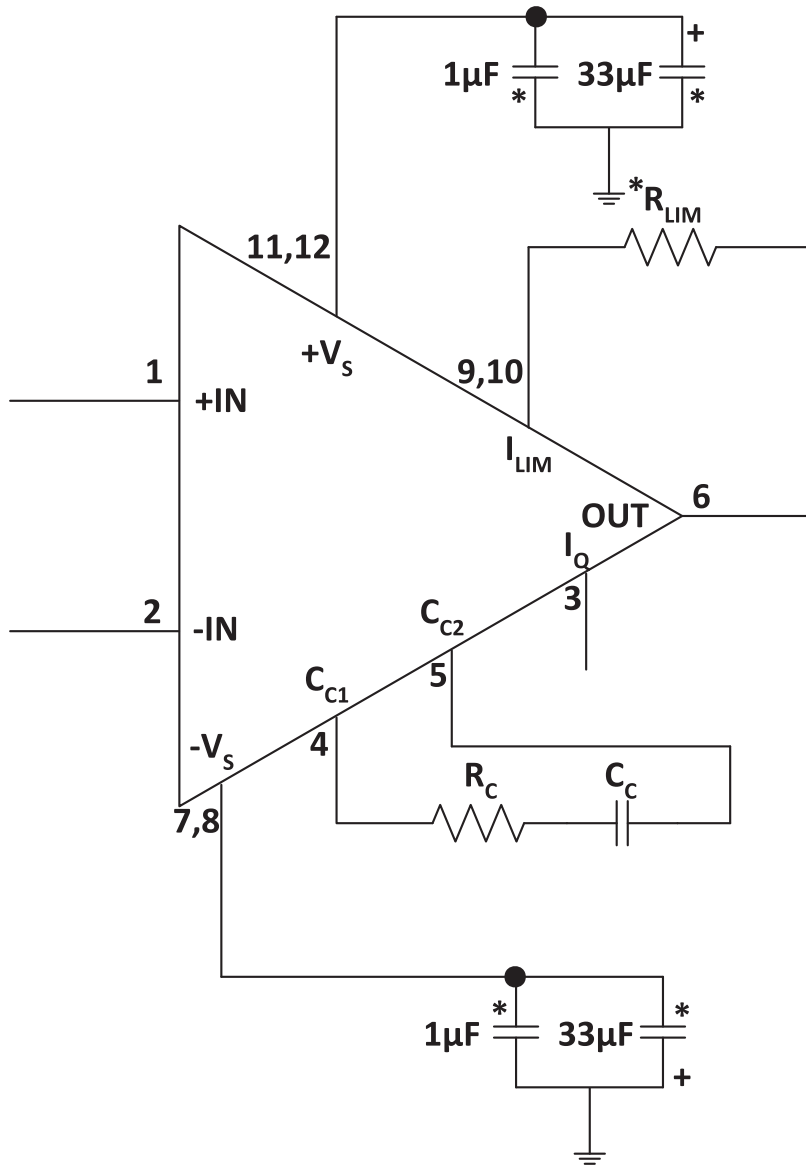


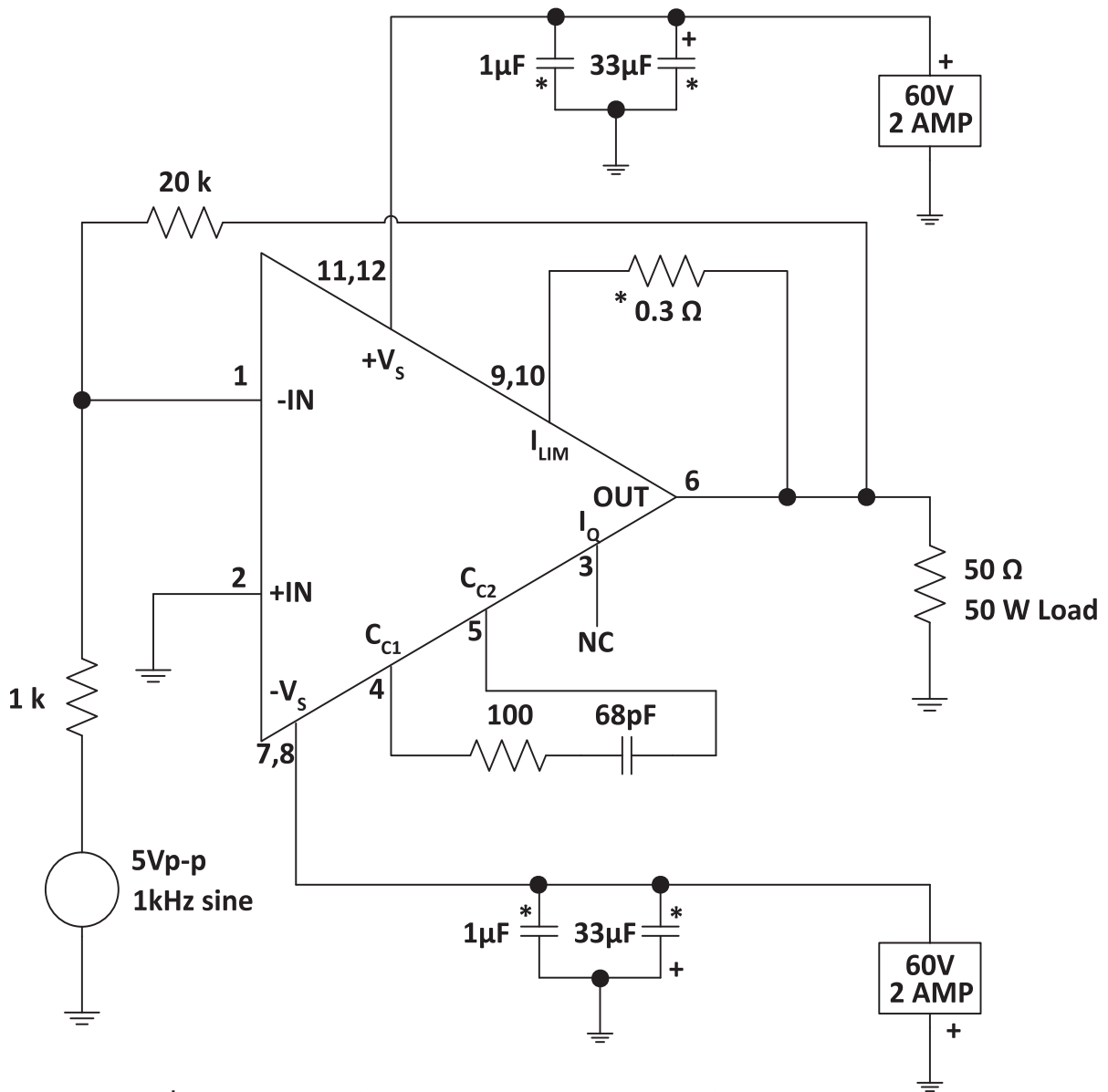
Figure 2: EK Schematic



***COMPONENTS SUPPLIED WITH EVALUATION KIT.**

Figure 2 shows the schematic of the evaluation kit's pre-wired connections. Components supplied with the kit are marked with an asterisk (*). All other connections are made via the bread-boarding areas of the circuit board.

Figure 3: Test Circuit



***COMPONENTS SUPPLIED WITH EVALUATION KIT.**

Figure 3 shows a suggested simple test circuit that you can build to gain a familiarity with the evaluation kit as well as the amplifier. At the output (pin 6) you should observe a 100 V p-p sine wave.

PARTS LIST

Reference	Manufacturer Part #	Description	QTY
	HS23	Heatsink	1
	HS20	Heatsink	1
	310-43-120-41-001000	Mating Socket Strip	1 bag (2 each)
	EVAL20	PC Board	1
	TW07	Thermal Washer	1 box (10 each)
C1, C2	ZX7R105KTL	Capacitor, 1 μ F, ceramic	2
C3, C4	EC02	Capacitor, 33 μ F electrolytic	2
R _{LIM}	MP930 - 0.30 - 1%	Resistor, 0.3 Ω	1
R _{LIM}	MP930 - 0.20 - 1%	Resistor, 0.2 Ω	1
R _{LIM}	MP930 - 0.10 - 1%	Resistor, 0.1 Ω	1

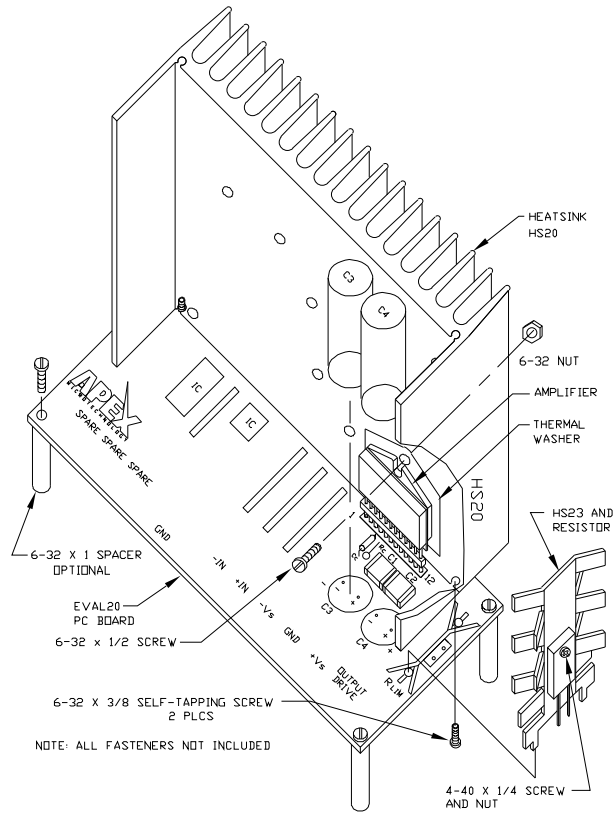
ASSEMBLY

- See Figure 1. Solder the surface mount ceramic capacitors to the DUT side of the circuit board at C1 and C2.
- Solder the electrolytic capacitors to the circuit board at C3 and C4. Match the polarity markings on the circuit board with those on the capacitor body.
- Select a current limiting resistor from the three values provided. See the product data sheet for information on how to select a value. Apply a thin coating of thermal grease to the back of the resistor. Using a 4-40 X 1/4" screw and 4-40 nut, mount the resistor to the lower of the two holes in the small heat sink provided. Solder this assembly to the circuit board at R_{LIM}. After soldering the resistor leads the tabs on the heat sink may be bent with pliers to secure it to the circuit board.
- Examine the large heat sink. Notice that there are several holes in the face of the heat sink. These are for mounting various Apex Microtechnology amplifier models. The circuit board aligns the amplifier with the correct mounting hole once the heat sink is attached to the circuit board. The heat sink can be mounted in either of two positions. One position is used for mounting the amplifier to the heat sink **without** the mating socket strip (the mounting hole of the amplifier is closer to the circuit board). Rotating the heat sink 180 degrees allows mounting the amplifier **with** the mating socket strip (the mounting hole of the amplifier is further from the circuit board).
- While developing your application circuit you will probably want to use the mating socket strip. Clip off the strip after the 12th position. Insert the strip into the circuit board from the DUT side and solder one pin on the reverse side. Check that the mating socket strip is fully seated against the circuit board then solder the remaining pins. Insert the amplifier fully into the mating socket strip, noting the pin 1 locations on the amplifier and the circuit board.
- The four holes at the corners of the circuit board are for mounting #6 standoff spacers if desired. The remaining two slotted holes are for mounting the large heat sink to the DUT side of the circuit board. Temporarily mount the heat sink with 2 #6 X 1/2" self tapping screws from the opposite side of the circuit board. Do not fully tighten the screws at this time. Check for alignment of the slot in the mounting tab of the amplifier with a hole in the heat sink. Dismount and rotate the heat sink if necessary to achieve an alignment with a hole in the heat sink. Position the heat sink so that the back of the amplifier mounting tab is flush with the heat sink then tighten the heat sink mounting screws.
- Hang the thermal washer near the end of a 6-32 X 1/2" screw. Slightly pull the amplifier away from the heat sink face. Use the screw to position the thermal washer behind the amplifier and insert the screw

into the mounting hole of the heat sink. Secure the screw from the opposite side of the heat sink using a nut holder.

8. Add other components as necessary to complete your application circuit.

Figure 4: Mechanical Drawing



NEED TECHNICAL HELP? CONTACT APEX SUPPORT!

For all Apex Microtechnology product questions and inquiries, call toll free 800-546-2739 in North America. For inquiries via email, please contact apex.support@apexanalog.com. International customers can also request support by contacting their local Apex Microtechnology Sales Representative. To find the one nearest to you, go to www.apexanalog.com

IMPORTANT NOTICE

Apex Microtechnology, Inc. has made every effort to insure the accuracy of the content contained in this document. However, the information is subject to change without notice and is provided "AS IS" without warranty of any kind (expressed or implied). Apex Microtechnology reserves the right to make changes without further notice to any specifications or products mentioned herein to improve reliability. This document is the property of Apex Microtechnology and by furnishing this information, Apex Microtechnology grants no license, expressed or implied under any patents, mask work rights, copyrights, trademarks, trade secrets or other intellectual property rights. Apex Microtechnology owns the copyrights associated with the information contained herein and gives consent for copies to be made of the information only for use within your organization with respect to Apex Microtechnology integrated circuits or other products of Apex Microtechnology. This consent does not extend to other copying such as copying for general distribution, advertising or promotional purposes, or for creating any work for resale.

APEX MICROTECHNOLOGY PRODUCTS ARE NOT DESIGNED, AUTHORIZED OR WARRANTED TO BE SUITABLE FOR USE IN PRODUCTS USED FOR LIFE SUPPORT, AUTOMOTIVE SAFETY, SECURITY DEVICES, OR OTHER CRITICAL APPLICATIONS. PRODUCTS IN SUCH APPLICATIONS ARE UNDERSTOOD TO BE FULLY AT THE CUSTOMER OR THE CUSTOMER'S RISK.

Apex Microtechnology, Apex and Apex Precision Power are trademarks of Apex Microtechnology, Inc. All other corporate names noted herein may be trademarks of their respective holders.

