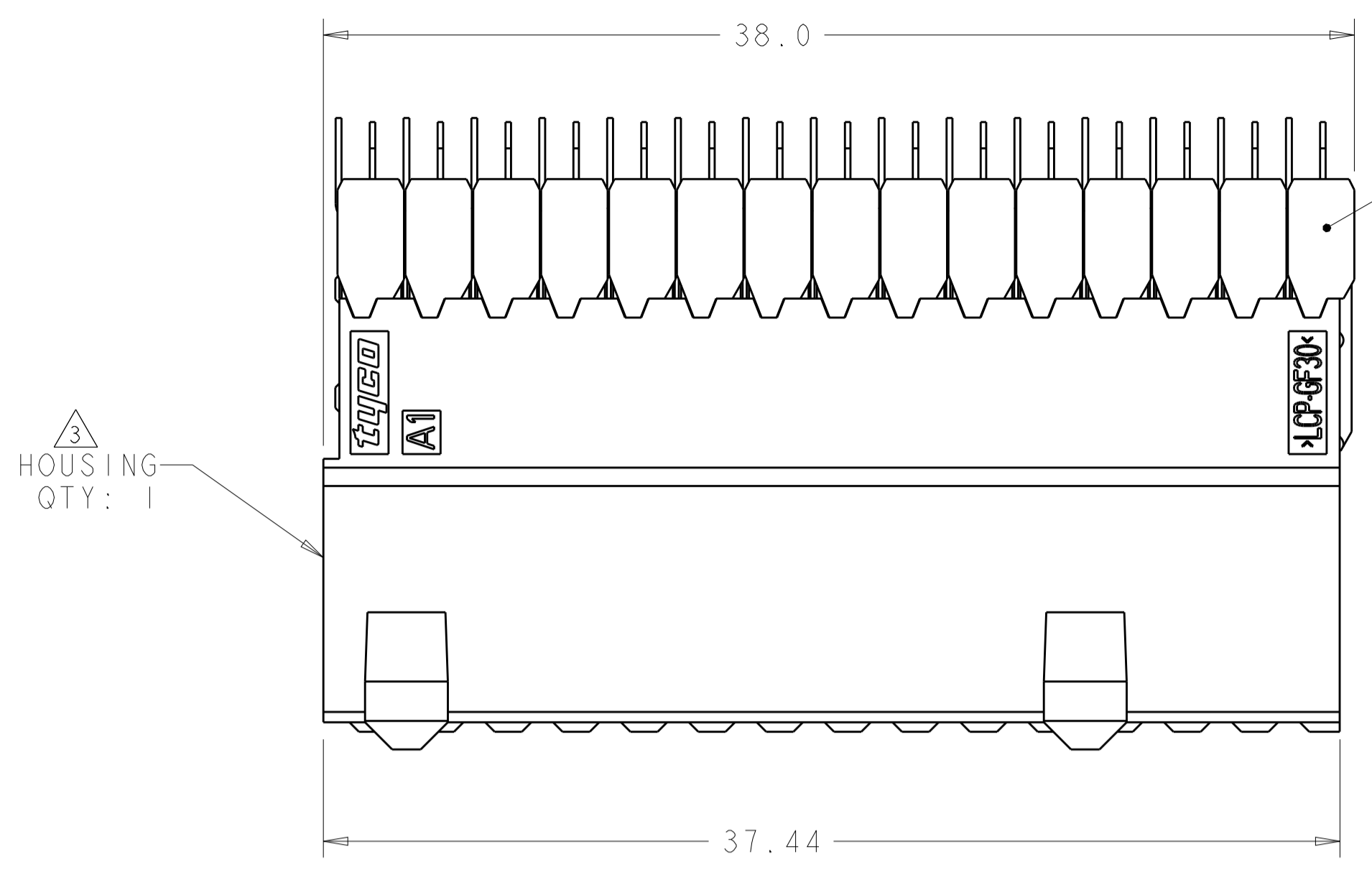
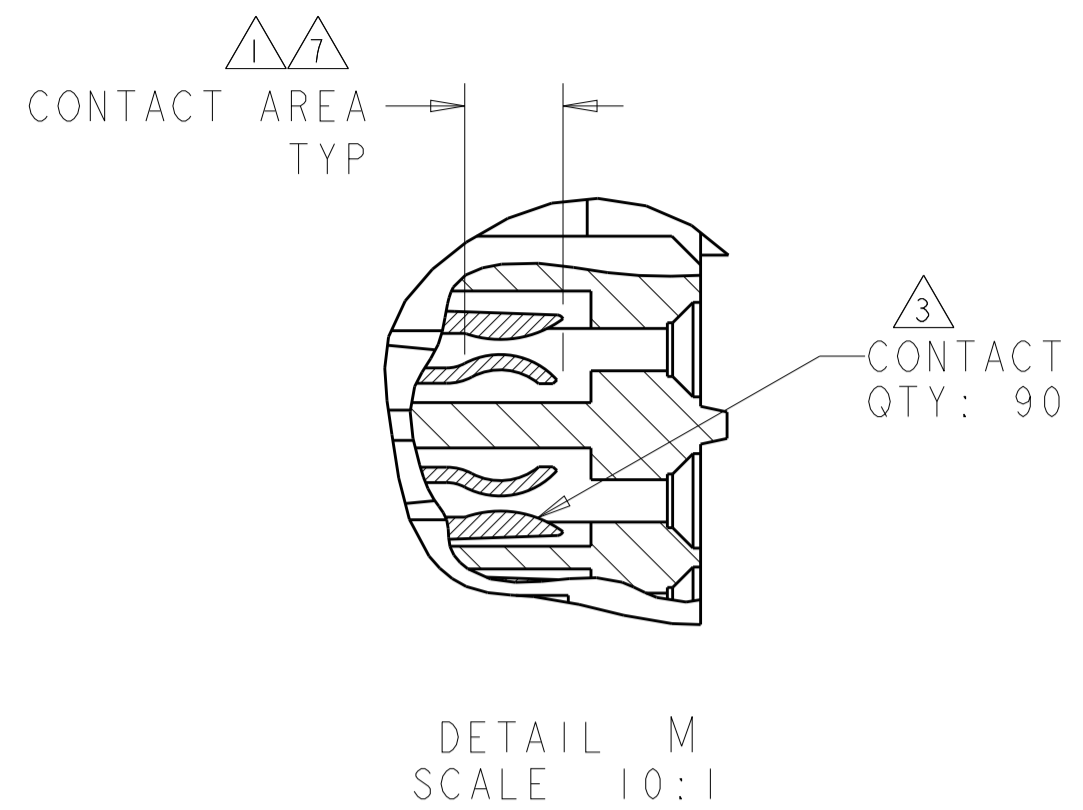
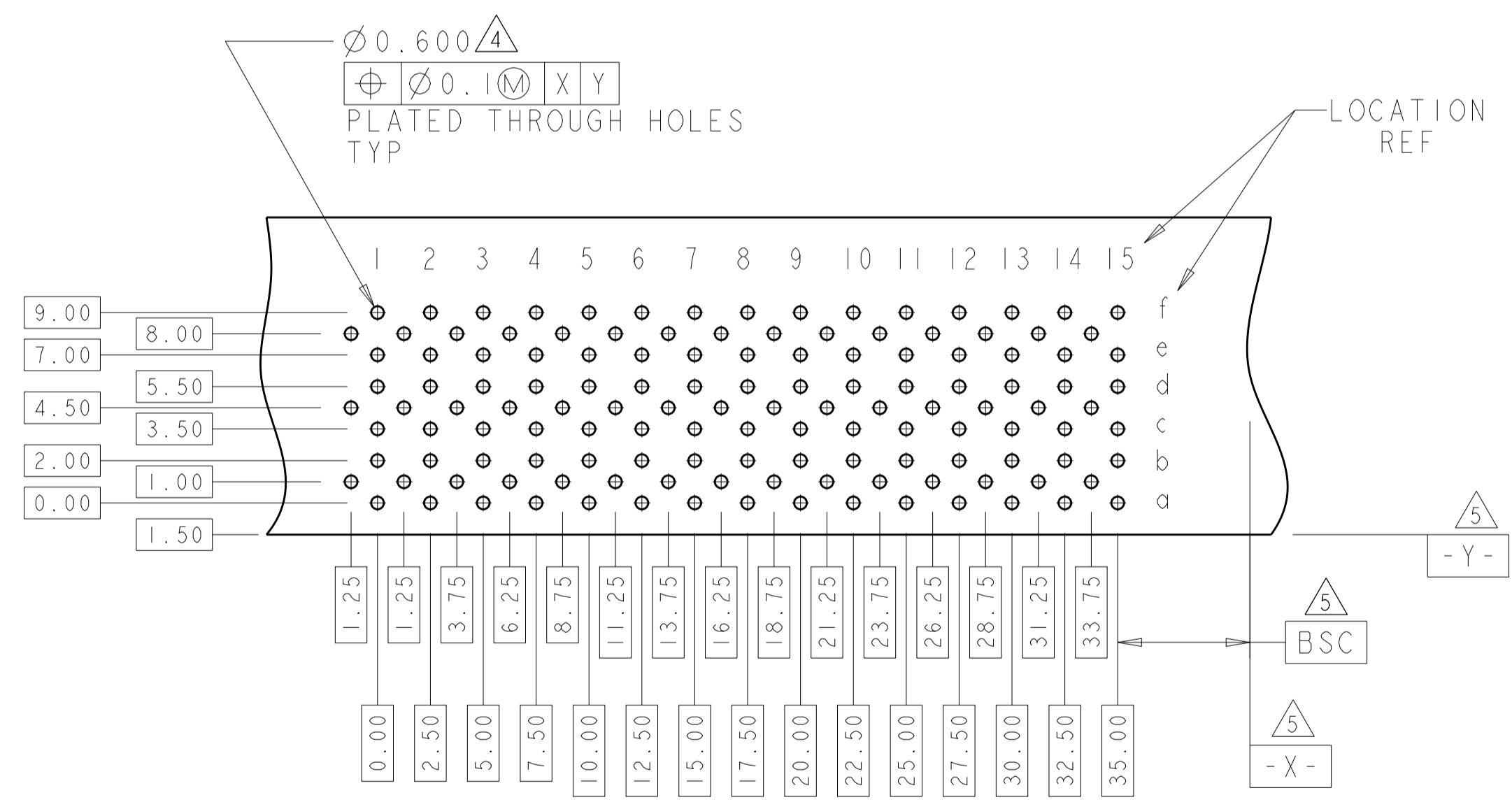
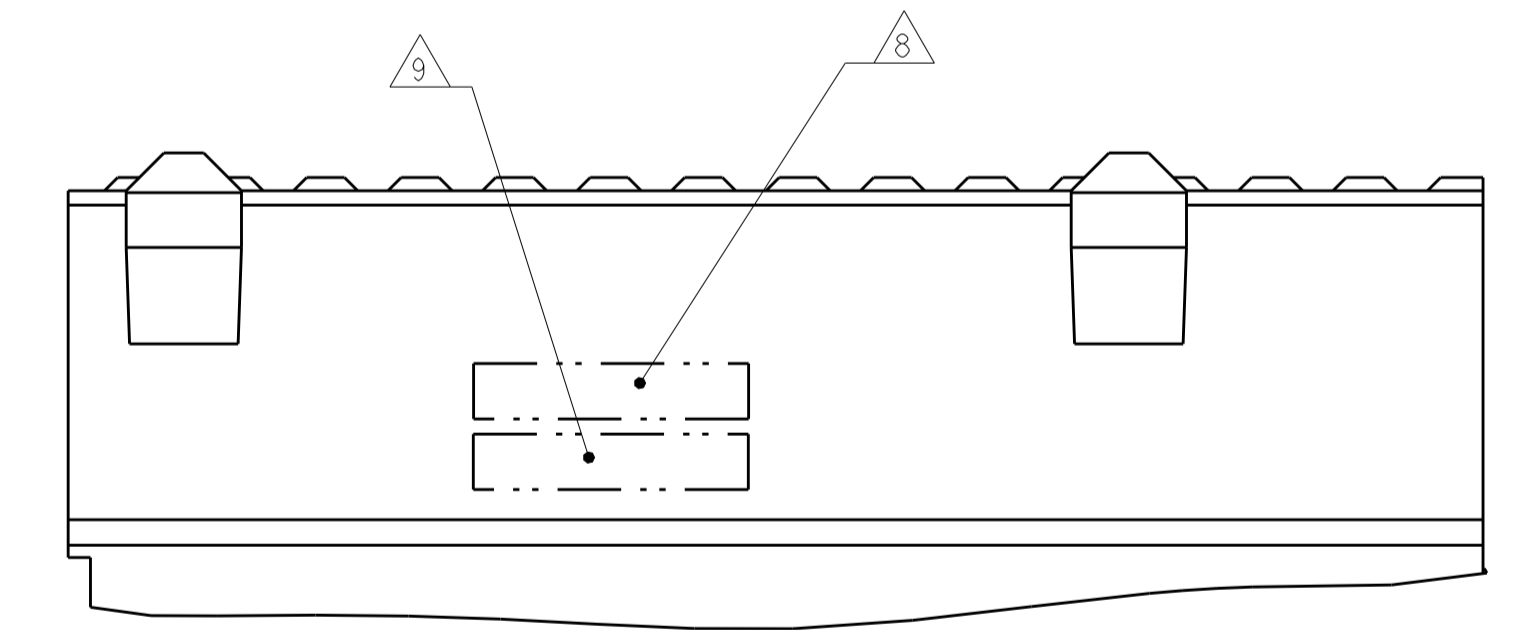
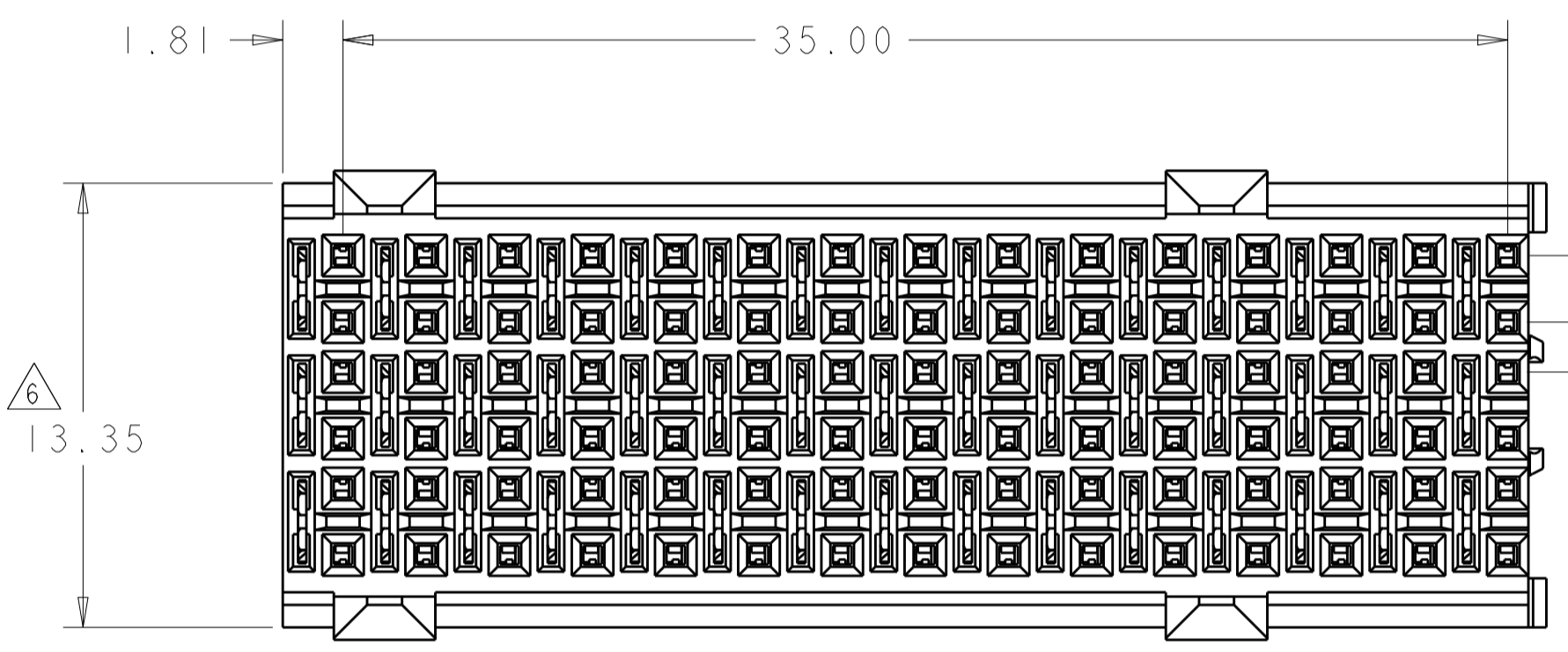
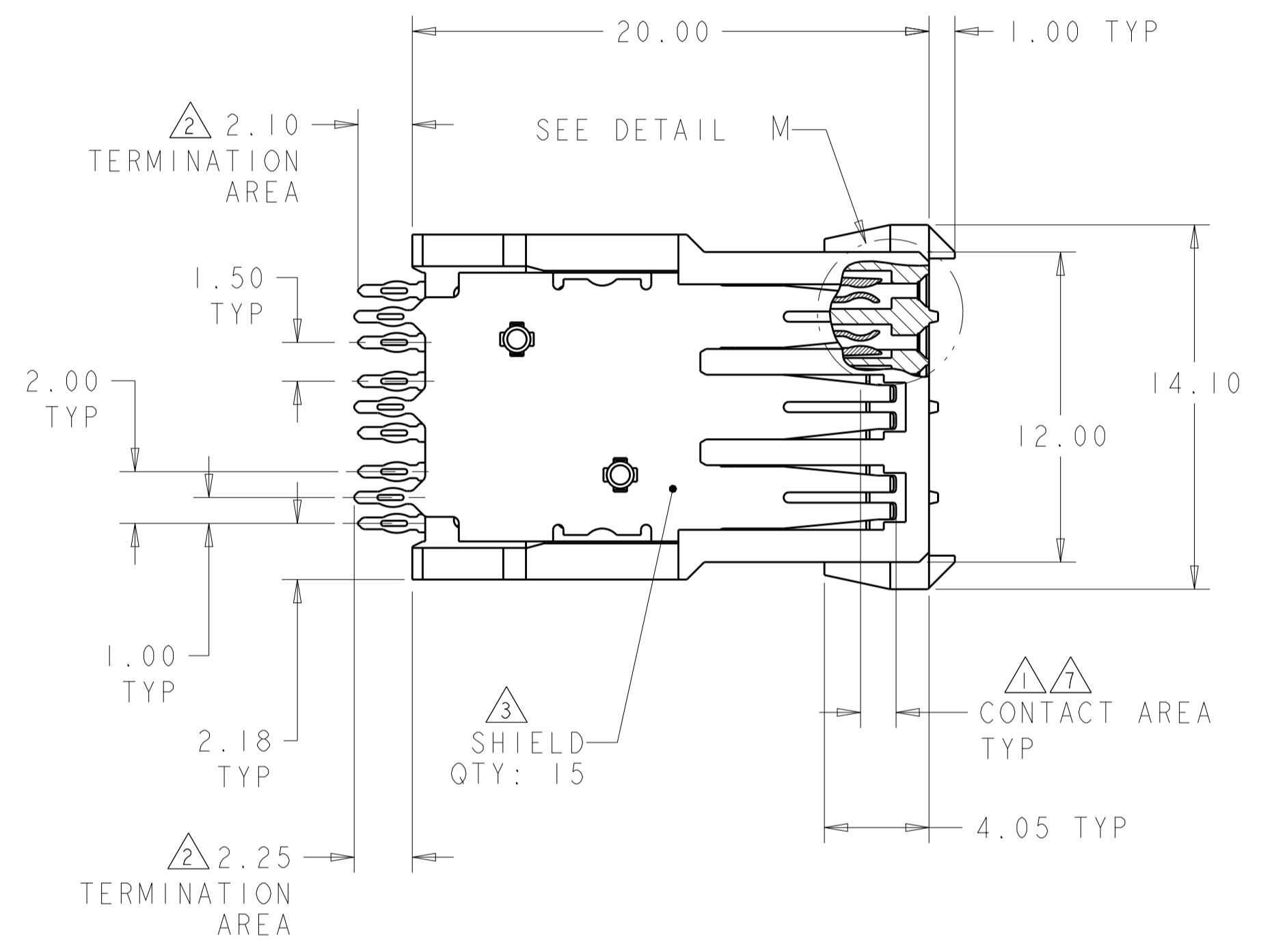


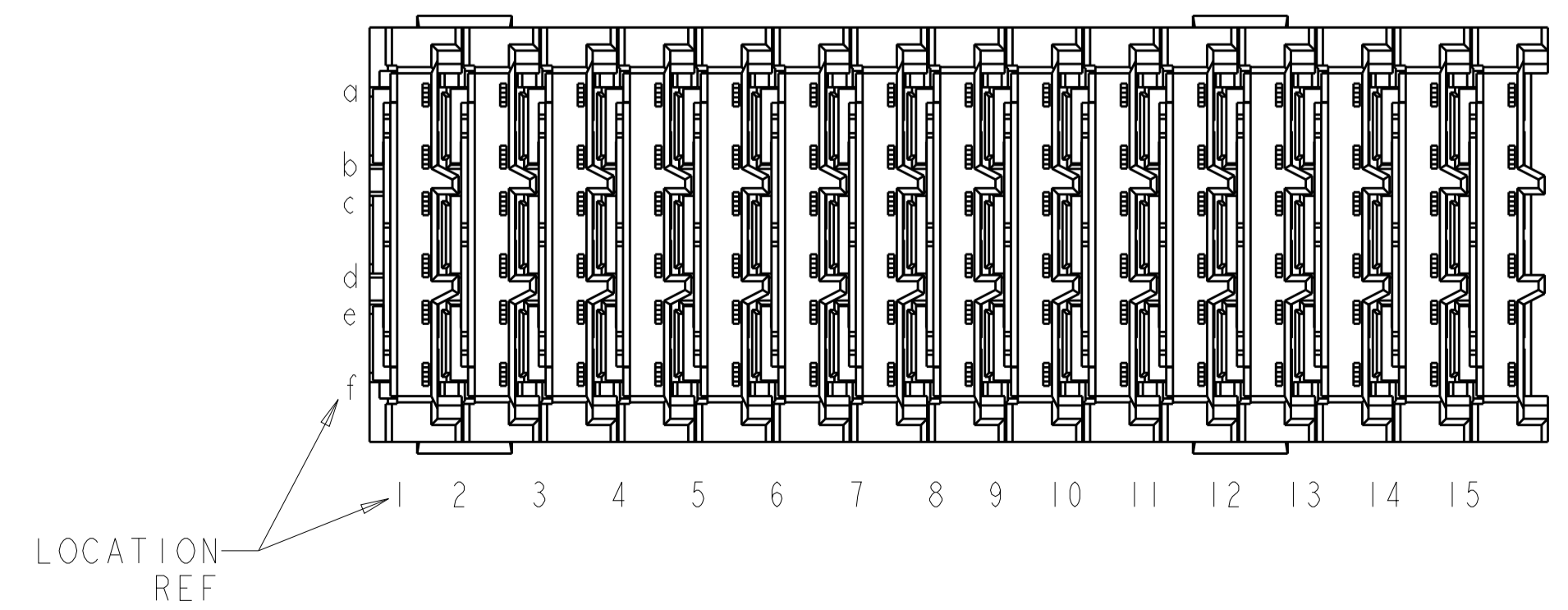
LOC	DIST	REVISIONS			
GP	00	REV	DATE	BY	APPV
		A	RELEASED	26SEP2012	- JE



- 1 CONTACT MATING AREA MEETS THE PERFORMANCE REQUIREMENTS OF TE CONNECTIVITY PRODUCT SPECIFICATION 108-1957; BASED ON TELCORDIA GR-1217-CORE, APPLICATIONS IN UNCONTROLLED ENVIRONMENTS.
- 2 0.76µm MIN MATTE TIN OVER 1.27µm MIN NICKEL
- 3 MATERIAL:
 CONTACT - COPPER ALLOY
 SHIELD - PHOSPHER BRONZE
 HOUSING AND CHICKLET - GLASS FILLED POLYESTER
- 4 REFERENCE APPLICATION SPEC 114-13020 FOR RECOMMENDED PLATED THRU HOLE DIAMETER AND PLATING THICKNESS
- 5 DATUM AND BASIC DIMENSION ESTABLISHED BY CUSTOMER
- 6 SEATING HEIGHT TO BOARD SURFACE
- 7 CONTACT AREA LUBRICATED WITH BELLCORE APPROVED LUBRICANT TECHNICAL REFERENCE: GR-1217-CORE, ISSUE 1, NOVEMBER 1995
- 8 DATE CODE
- 9 PART NUMBER



RECOMMENDED PRINTED
 CIRCUIT BOARD LAYOUT
 COMPONENT SIDE OF PRINTED CIRCUIT BOARD
 SCALE 4:1



5120948-1
 PART NUMBER

THIS DRAWING IS A CONTROLLED DOCUMENT.		OWN S. J. MAGARO 14SEP2004	APV R. A. PATTERSON	NAME RECEPTACLE ASSEMBLY, 6 ROW, 90 POSITION, VERTICAL, Z-PACK HS3	RESTRICTED TO -
DIMENSIONS: mm	TOLERANCES UNLESS OTHERWISE SPECIFIED: 0 PLC ± 1 PLC ±0.13 2 PLC ±0.050 3 PLC ± 4 PLC ±	PRODUCT SPEC 108-1957	APPLICATION SPEC 114-13020	SIZE A1	CAGE CODE 5120948
MATERIAL 3	FINISH SHIELD: 1 CONTACTS: 2	WEIGHT -	CUSTOMER DRAWING	SCALE 5:1	SHEET 1 OF 1