

THIS DRAWING IS UNPUBLISHED. RELEASED FOR PUBLICATION
 © COPYRIGHT - By - ALL RIGHTS RESERVED.

LOC		DIST		REVISIONS			
P	LTR	DESCRIPTION		DATE	DWN	APVD	
FT	0	E1	CORRECTION OF ANGLED PCB MOUNT VIEW		19JUN2015	NV	PS

D-SUB CONNECTOR:
 MATERIAL:
 HOUSING: THERMOPLASTIC POLYESTER, 94V-0.
 CONTACTS: COPPER ALLOY, GOLD PLATED.

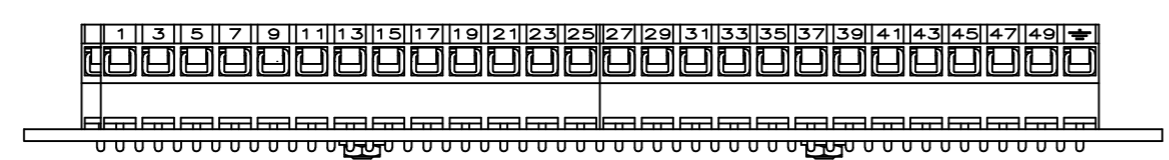
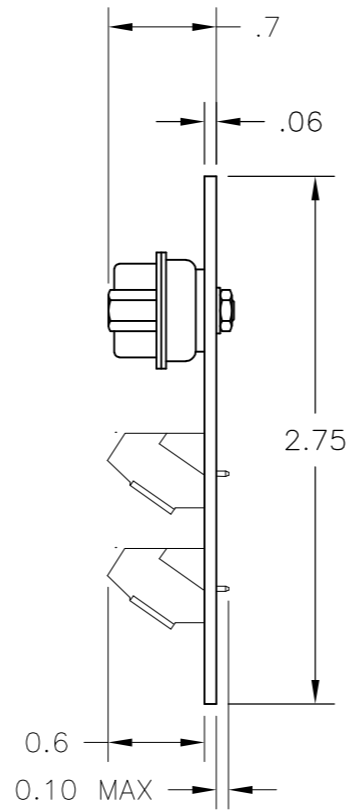
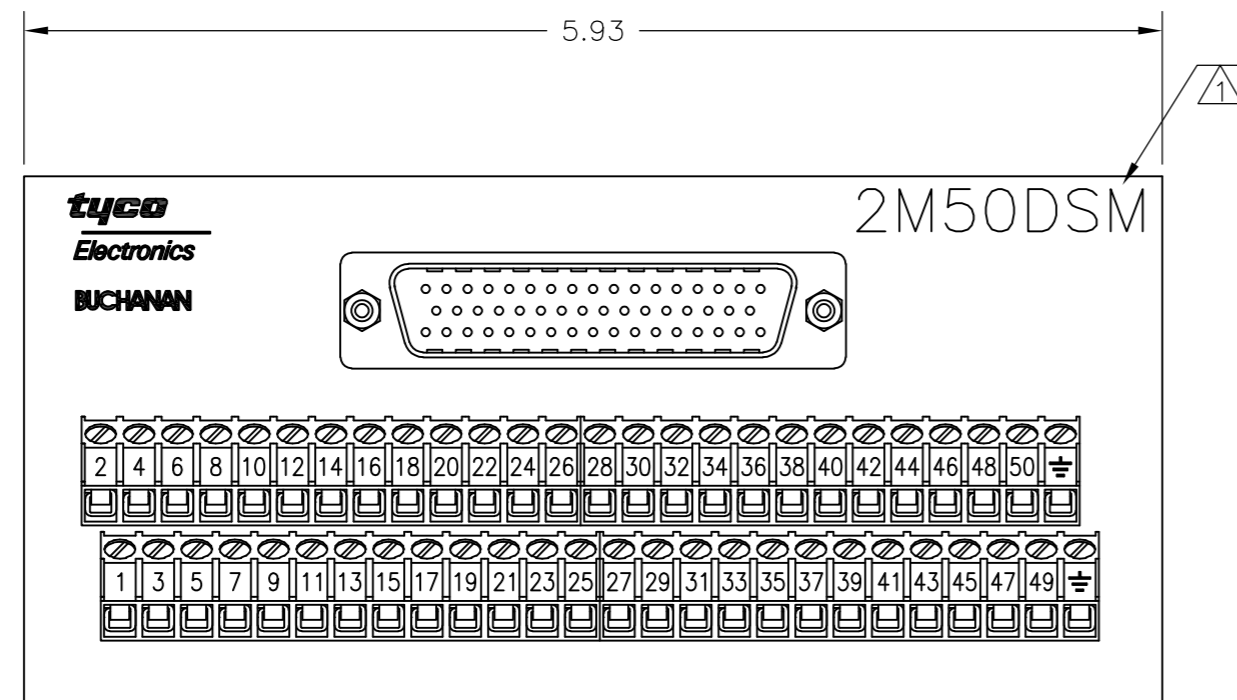
MECHANICAL:
 WIRE RANGE: 26-30 AWG SOLID, 28 AWG STRANDED.

TERMINAL BLOCK:
 MATERIAL:
 HOUSING: THERMOPLASTIC NYLON, BLACK, 94V-0.
 TERMINALS: COPPER ALLOY, TIN PLATED.
 SCREWS: 3M, BRASS, NICKEL PLATED.

ELECTRICAL CSA/UL:
 RATING: 10A, 300V.

MECHANICAL:
 WIRE RANGE: 14-22 AWG.
 MOUNTING: 2TK2 AND 2TK2D SERIES SNAPTRACK,
 (SOLD SEPARATELY).

- NOTES:**
- ⚠ CATALOG NUMBER MARKED HERE.
 - ⚠ CONTAINS NO TIN-LEAD PLATING.
 - ⚠ CONTAINS TIN-LEAD AT SOLDERED LOCATIONS ONLY.



⚠	2M50DSMR	1776613-1
⚠	2M50DSML	1546696-1
	2M50DSM	2-1437684-9
	CATALOG NO.	PART NO.

THIS DRAWING IS A CONTROLLED DOCUMENT.		DWN	S SCHLEGEL	26JUN02								
DIMENSIONS: INCHES		CHK	H. WAKEEM	6/26/02								
TOLERANCES UNLESS OTHERWISE SPECIFIED:		APVD	H. WAKEEM	6/26/02								
0 PLC ± - 1 PLC ± .1 2 PLC ± .01 3 PLC ± - 4 PLC ± - ANGLES ± - FINISH -		NAME	2M50DSM ASSEMBLY									
MATERIAL -		PRODUCT SPEC	-		SIZE	A2	CAGE CODE	00779	DRAWING NO.	C=2-1437684-9	RESTRICTED TO	-
		APPLICATION SPEC	-		SCALE	NTS	SHEET	1 of 1	REV	E1		
		WEIGHT	-		CUSTOMER DRAWING							