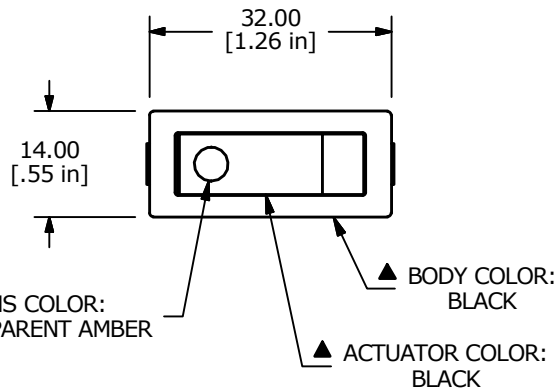
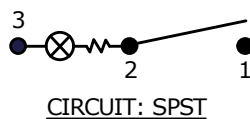


PANEL CUTOUT

PANEL THICKNESS	(x)
0.75 - 1.25	30.0
1.25 - 2.00	30.4
2.00 - 3.00	30.7

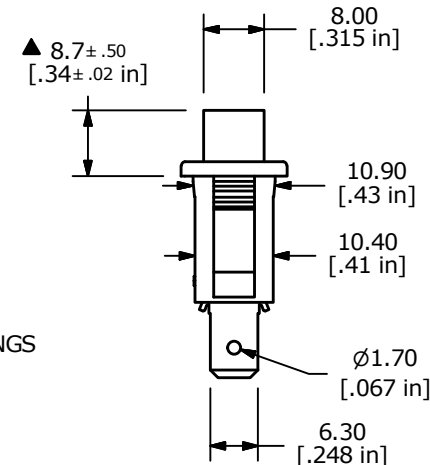
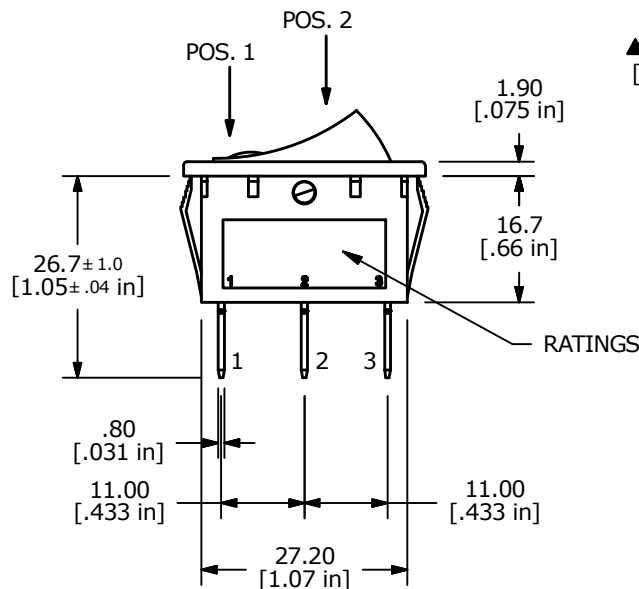
SWITCH FUNCTION

POS. 1	POS. 2
OFF	ON
NONE	2-1



NOTE:

- DIMENSIONS IN MM [INCH]
- GENERAL TOLERANCE: X.X = ± 0.4
X.XX = ± 0.25
- TERMINAL NUMBERS FOR REF ONLY
- CONTACT MATERIAL: SILVER
- CONTACT RATINGS:
ANSI/UL 1054 AND CAN/CSA C22.2 NO.55 (E194579):
15A @ 125VAC [cURus]
7.5A @ 250VAC [cURus]
EN 61058-1:2002+A2 (SE/09138-1):
16(4)A 250V~ 1E4 T125/55 [ENEC14, SEMKO]
- CONTACT RESISTANCE: 35mΩ MAX. @ 50VAC INITIAL
- INSULATION RESISTANCE: 100MΩ MIN. @ 500VDC
- DIELECTRIC STRENGTH: 1,500VAC FOR 1 MINUTE
- ELECTRICAL LIFE: 6,000 CYCLES [cURus]
10,000 CYCLES [ENEC10, SEMKO]
- OPERATING TEMPERATURE: -20°C to 85°C [cURus]
-20°C to 125°C [ENEC14, SEMKO]
- ILLUMINATION VOLTAGE: 12V LED
- ▲ DENOTES CRITICAL PARAMETER
- 2011/65/EU (ROHS) COMPLIANT



C	22686	updated to 12V LED and redrawn	1/25/17	MW
B	19891	changed VDE approval to Semko approval	5/3/11	CAB
A	00037	INITIAL RELEASE	7/23/09	CAB
REV	PCR NO	DESCRIPTION	DATE	BY



TITLE RB141C1100-224				
SCALE 1:1	DATE 5/3/2011	DR MW	DWG 38-RB141C1100224	REV C