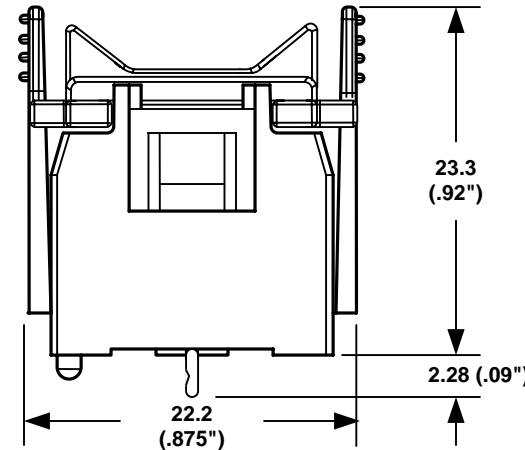
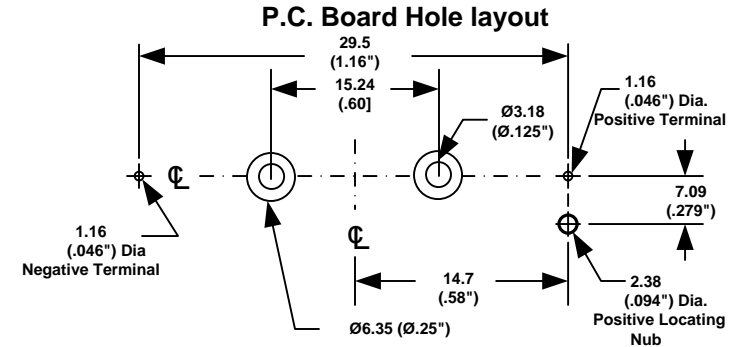
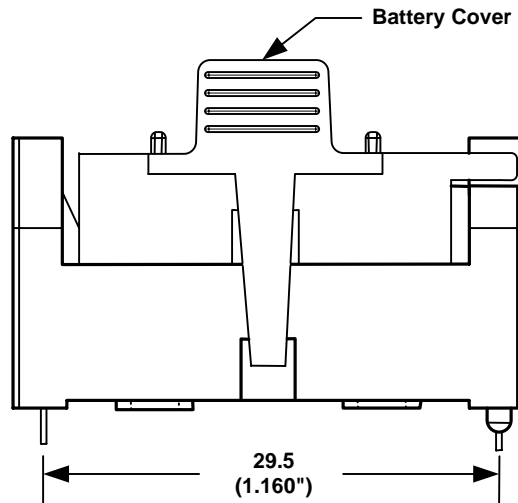
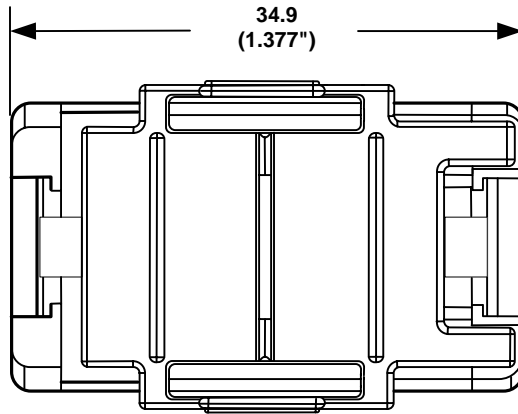


DATE	SYM	REVISION RECORD	AUTH	DR.	CK.
4/17/09	A	ADDED DISTANCE BETWEEN MOUNTING HOLES	T.B.	B.S.	



SPECIFICATIONS

Material:


Holder: P/N.ABG-135, BA1/2AA, Self extinguishing thermoplastic, PBT, black
 Flammability Rating: UL94 V-0, File No. E56070 (S)
 Dielectric Strength: 560 volts/mil at 25°C for 5 sec
 Temperature Range: -55°C to 180°C
 Resistance to Solvent: Xylene, Ethyl, Butyl, Methyl, Propyl Alcohol,
 Ethyl Acetate, Refrigerants, Heptane & Toluene

Contacts: P/N.ABG-140, BC1/2AA, 302 Spring Tempered Stainless Steel Nickel Plated
 Cover: P/N.0894-1, CBA1/2AA, UL94 V-0, File No. E41797 (M)

NOTE: Eyelet Stimpson Style # A1883 .110"OD x .190" flange
 Flange recess .203" Dia. x .090" deep.

Accessories: BI - UM - 3 - 4 Insulator.

Note: Dimensions in mm. (inches)

TOLERANCES (EXCEPT AS NOTED)		 Memory Protection Devices, Inc. 200 Broad Hollow Road, Farmingdale, New York 11735	
DECIMAL			
+ .5 (.020)			APPROVED BY
- .5 (.020)		TITLE	
		1/2 "AA" CELL BATTERY HOLDER ASSEMBLY	
FRACTIONAL		DATE	DRAWING NUMBER
+ .8 (.030)		4/17/2009	BA1/2AAPC
- .8 (.030)			
ANGULAR			
+ 3°			
- 3°			