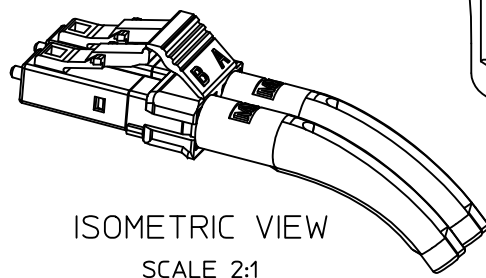
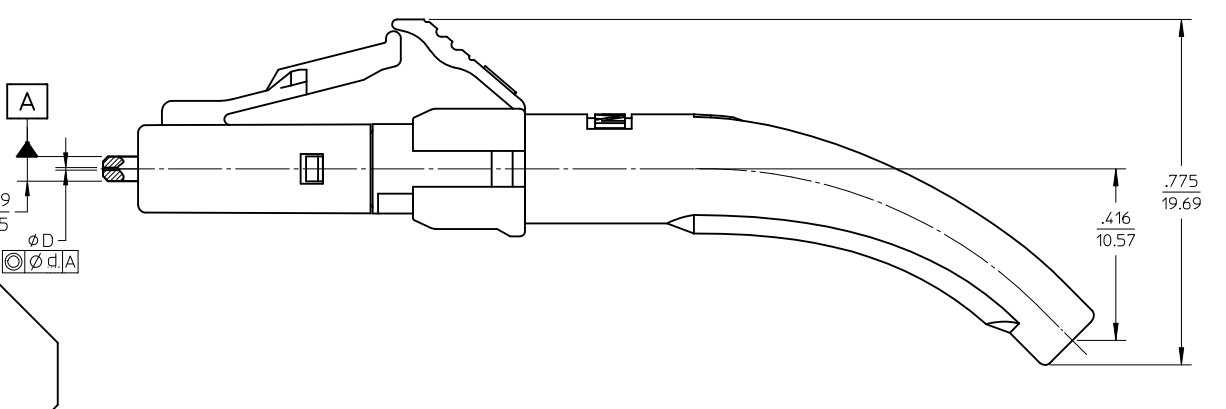
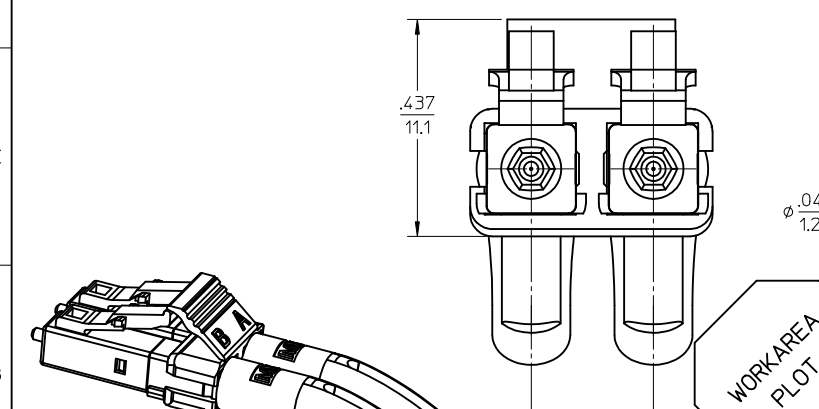
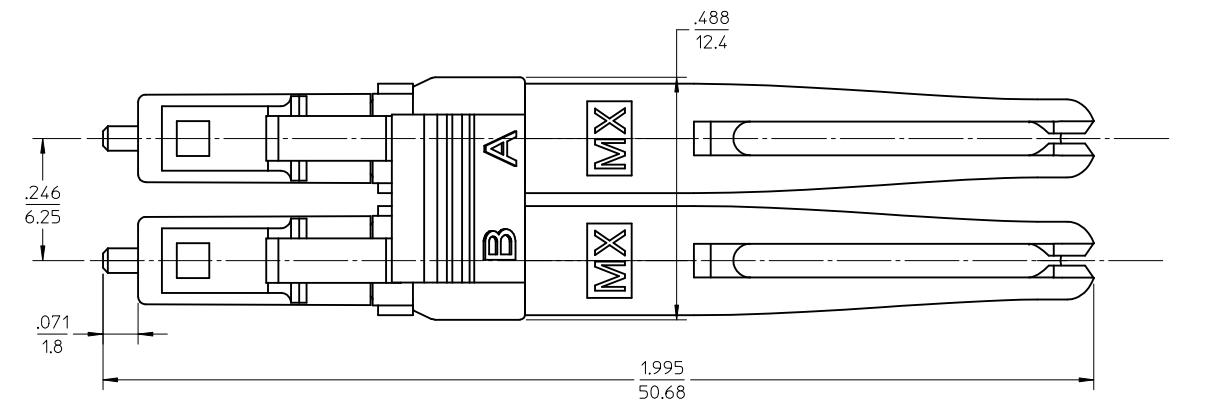


10	9	8	7	6	5	4	3	2	1
CONNECTOR P/N	∅D (µm)	∅d (µm)	CONN. BODY COLOR	BOOT COLOR	CABLE ∅ (mm)	CABLE TYPE			
106025-7110	125 ^{+0.5} ₀	0.5	BLUE	WHITE	1.6	SINGLE MODE			
106025-7115	1.6 ZIPCORD & 2								
106025-7120	1.6								
106025-7125	1.6 ZIPCORD & 2								
106025-7130	1.6								
106025-7135	1.6 ZIPCORD & 2								
106025-7140	126 ⁺¹ ₀	1		WHITE	1.6	SINGLE MODE			
106025-7145	1.6 ZIPCORD & 2								
106025-7150	1.6								
106025-7155	1.6 ZIPCORD & 2								
106025-7160	1.6								
106025-7165	1.6 ZIPCORD & 2								
106025-7170	125.25 ^{+0.5} ₀			WHITE	1.6	SINGLE MODE			
106025-7175	1.6 ZIPCORD & 2								
106025-7180	1.6								
106025-7185	127 ⁺³ ₀	3	BEIGE		1.6	MULTIMODE			



NOTES:
 1. ALL DIMENSIONS ARE FOR REFERENCE ONLY.
 2. DUST CAPS ARE NOT SHOWN.

ENTER DESCRIPTION EC NO: MF2012-0400 DRWN: YBELENKIY 2012/02/20 CHKD: APPR: IGUMIN 2012/02/20	QUALITY SYMBOLS	GENERAL TOLERANCES (UNLESS SPECIFIED)	DIMENSION STYLE	SCALE	DESIGN UNITS	THIRD ANGLE PROJECTION
	▼=0 ▽=0	mm INCH 4 PLACES ± --- ± --- 3 PLACES ± --- ± --- 2 PLACES ± --- ± --- 1 PLACE ± --- ± --- ANGULAR ±1/2°	IN/MM	4:1	INCH	
		DRAFT WHERE APPLICABLE MUST REMAIN WITHIN DIMENSIONS	DRAWN BY DATE PGIBLIN 2005/11/14 CHECKED BY DATE APPROVED BY DATE	TITLE LC DUPLEX CONNECTOR 45 DEGREE BOOT		
			SEE TABLE	MOLEX INCORPORATED DOCUMENT NO. SD-106025-71XX SHEET NO. 1 OF 1		