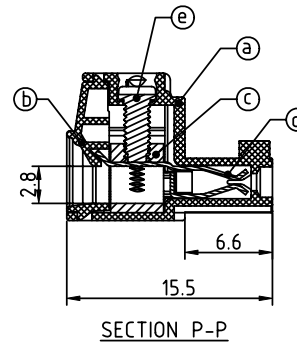
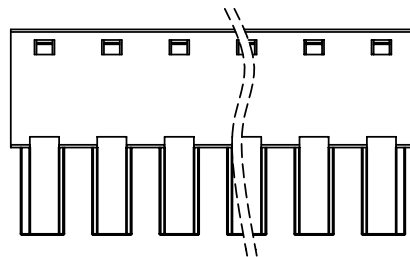
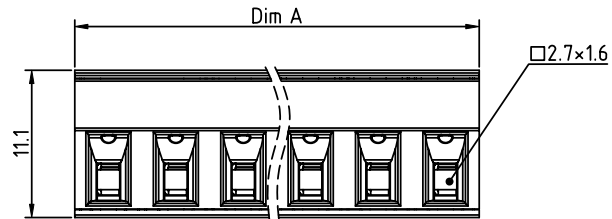
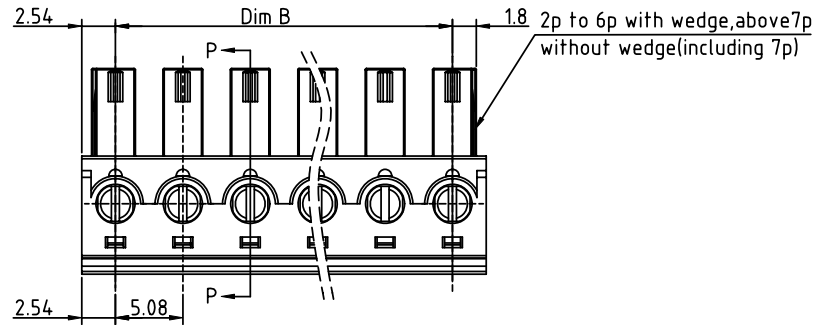


PRODUCT NUMBER	PITCH
VRxx51x000J0G	5.08 mm



Material

- Item (a) Insulating body: Thermoplastic (UL94V-0)
- Item (b) Insulating cover: Thermoplastic (UL94V-0)
- Item (c) Contant: Brass, Tin plated
- Item (d) Wire guard: PhBz, Tin plated
- Item (e) Terminal screw: Steel Cr3+ Zinc plating "-" slot type

Electrical cULus

- Voltage rating: 300VAC
- Current rating: 10A
- Wire range:
- Solid wire(AWG): 14-30
- Stranded wire(AWG): 14-30
- Torque(Lb-In): 2
- Screw: M2
- Wire strip length: 7-8mm
- Withstanding Voltage: 1.6KV
- Operating temperature: -40°C to +115°C
- Safety Approval:

N=NUMBER OF POLES

Dim A=N×5.08
Dim B=(N-1)×5.08

POLES	Tolerance
2P-5P	±0.15
6P-9P	±0.20
10P-13P	±0.30
14P-17P	±0.35
18P-24P	±0.40

PART NO.: VR xx 51 x 0 00J0 G

	Solid block	No. of poles	Color	RoHS compliant (lead<4%) In copper Alloy
	0	2	Black (RAL9005)	
	02	3	Red (RAL3001/D)	
	03	4	Orange(RAL2011/P)	
	...	5	Yellow(RAL1018/A)	
	24	6	Green(RAL6018/T)	
		8	Blue (RAL5015/A)	
		9	Grey(RAL7035/D)	
		C	White(RAL1102)	
			Green(RAL6018/U)	

mat'l. code		surface ASME Y14.5 ✓	tolerance ASME Y14.5	projection 	product family TERMINAL BLOCK
ltr	ecn no	dr	date	tolerances unless otherwise specified	title TERMINAL BLOCK PLUGGABLE PLUG, CONTACT ON DOWN SIDE WITHOUT FLANGE
				angles X°±1°	scale MM
				dr	EVIN ZHONG 041814
				enr	EVIN ZHONG 041814
				chr	HANKE FENG 041814
				appd	SHI JUN 041814
sheet index	revision sheet	A	1		FCI type CUSTOMER Drawing
					dwg no VRxx51x000J0G
					sheet 1 of 1 size A4