

PART NUMBER	REV	FEED TYPE	DESCRIPTION	PROGRAMMED MEMORY CHIP
2150144-1	A	MECHANICAL	FINE CRIMP HEIGHT ADJUST	
2150144-2	A	PNEUMATIC	FINE CRIMP HEIGHT ADJUST	
2150144-5	A	SERVO	FINE CRIMP HEIGHT ADJUST	8-2150144-5
2150144-6	A	SERVO	NON CRIMP HEIGHT ADJUST	8-2150144-6
2150144-7	A	NONE	FINE CRIMP HEIGHT ADJUST	
7-2150144-7	A	-	SPARE PARTS KIT	-

APPLICATOR DATA		
CRIMP	SIZE	TYPE
WIRE	3.30 (.130 in)	F
INSUL	5.33 (.210 in)	O
APPL INSTRUCTIONS 408-10390		

TERMINAL DATA: TE TERMINAL		TE CRIMP SPEC
TERMINAL NAME: RCPT, FASTON .250 SERIES LOW-INSERTION		
WIRE STRIP LENGTH	INSULATION DIAMETER RANGE	
5.30-5.70mm (.210-.225 in)	3.81-5.08mm (.150-.200 in)	
TERMINAL APPL SPEC	114-2036	

TERMINALS APPLIED			
42437-2	41449-3	1-41450-1	63412-1
42437-5	41450	61095-1	63435-1
42437-6	41450-1	61095-4	63435-2
41449	41450-2	63365-1	1742399-1
41449-1	41450-3	63365-2	

WIRE SIZE	CRIMP HEIGHT mm [INCH]	FINE ADJUST REF SETTING
10AWG	2.92±.05 [.115±.002]	3.5
4mm ²	2.59±.05 [.102±.002]	7.4
3.5mm ²	2.46±.05 [.097±.002]	8.9
12AWG	2.41±.05 [.095±.002]	9.4
3mm ²	2.34±.05 [.092±.002]	10.2
2.5mm ²	2.21±.05 [.087±.002]	11.5
2.25mm ²	2.16±.05 [.085±.002]	12.0
14AWG	2.11±.05 [.083±.002]	12.5

- 1 RECOMMENDED SPARE PARTS
- 2 GREASE BEARING SURFACES LIGHTLY
- 3. LUBRICATE DAILY PER THE APPLICATOR INSTRUCTION SHEET SUPPLIED WITH THE APPLICATOR.
- 4 APPLICATOR SPECIFIC DATA TO BE ENTERED INTO BLANK MEMORY CHIP AT ASSEMBLY.
- 5. ADJUSTMENT OF THE STRIPPER MAY BE REQUIRED WHEN MOVING THE APPLICATOR BETWEEN BENCH AND LEADMAKER APPLICATIONS.
- 6. FOR THE PACIFIC VERSION OF THIS APPLICATOR, SEE LOG 2150016-9
- 7 GREASE THREADS, GROOVE AND O-RING ON ITEMS 35 & 252.
- 8 MAGNET MUST BE ORIENTED CORRECTLY IN ORDER TO PROPERLY ACTUATE THE COUNTER.
- 9 APPLY P/N 1-23419-5 LOCTITE TO THREADS.
- 10 10 AWG WIRE TO BE 9600 CMA MAX.

PART REQUIRED FOR FEED CONVERSIONS		
FEED TYPE TO CONVERT TO	RETROFIT KIT	ADDITIONAL PARTS REQ'D
MECHANICAL	2119949-1	56
PNEUMATIC	2119950-1	56
SERVO	2119951-1	135 AND 240

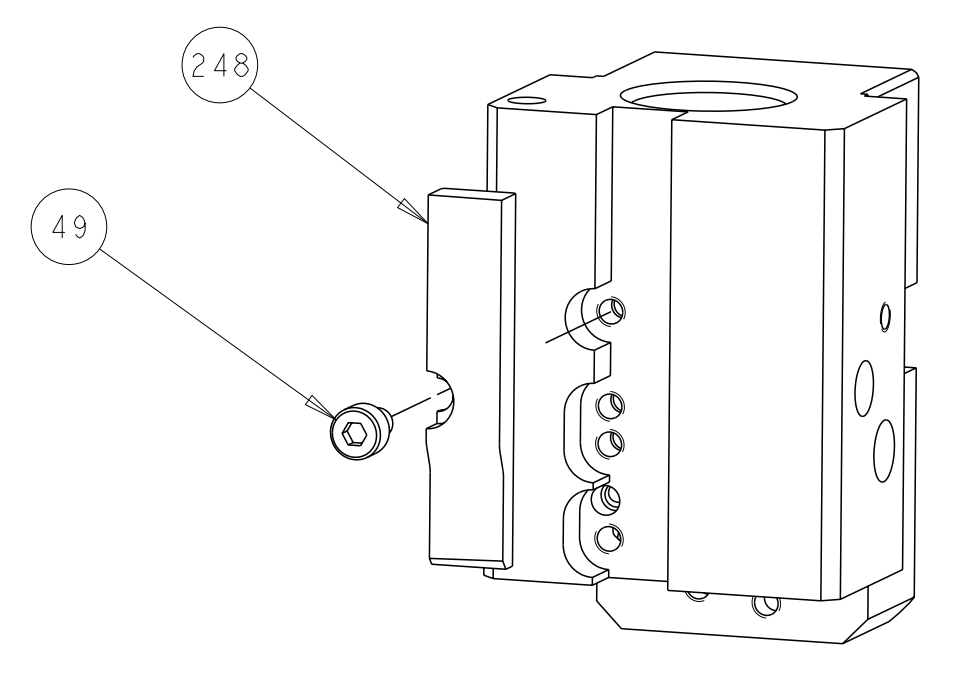
-77	-7	-6	-5	-2	-1	PART NO	DESCRIPTION	ITEM NO
-	-	-	-	-	-	8-21084-0	O-RING, .676 ID, .070 DIA. MAT.	252
-	-	-	-	-	-	2079988-1	BUSHING, LCH5-12, MISUMI	250
-	-	-	-	-	-	2119640-1	PUSH ROD, AIR FEED	249
-	-	-	-	-	-	2119641-1	FEED CAM, AIR FEED	248
-	-	-	-	-	-	2119798-1	DETENT PIN	247
-	-	-	-	-	-	1-22279-3	SPRING, COMPRESSION	246

SERVO FEED FINGER 1901697-1		SET UP GAUGE 2119599-2		LOC A	DIST 66	REVISIONS			
P	LTB	DESCRIPTION	DATE	OWN	APVD				
A		RELEASED	19JUL2011	LG	GB				
A1		SUPERSEDED BY 2150237	11JAN2012	BW	GB				

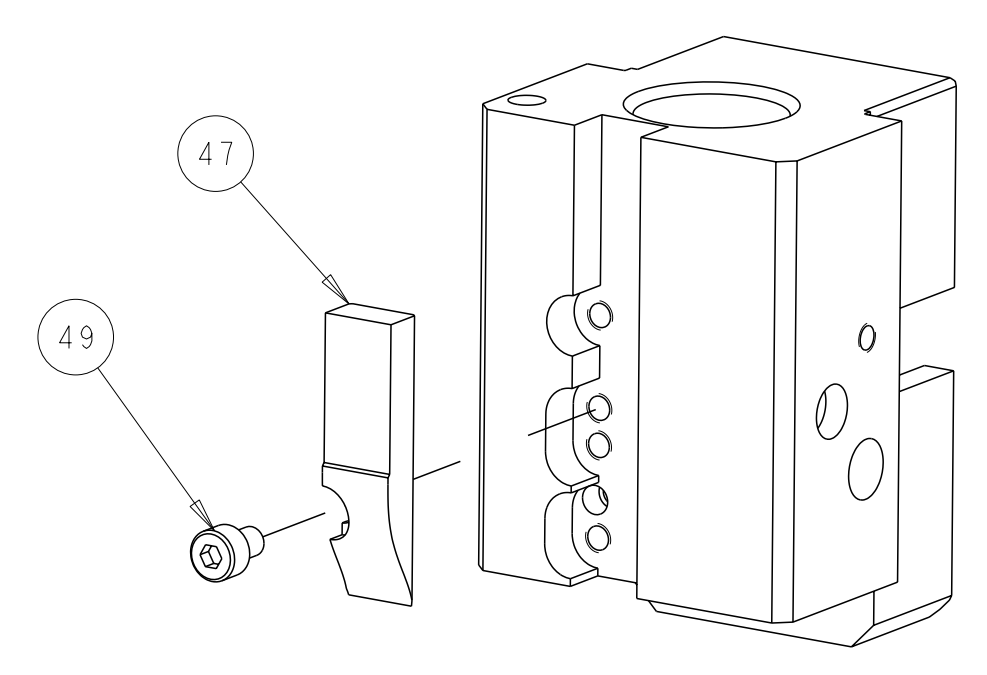
-77	-7	-6	-5	-2	-1	PART NO	DESCRIPTION	ITEM NO
-	-	-	-	-	-	2119759-1	RAM, AMP STYLE, END FEED, NON-ADJUST	245
-	-	-	-	-	-	2119082-9	CAM, SNAIL, INSULATION ADJUSTMENT	244
-	-	-	-	-	-	2079764-1	WASHER, WAVE SPRING, CREST-TO-CREST	243
-	-	-	-	-	-	2119083-1	RETAINER, INSULATION DIAL	242
-	-	-	-	-	-	2168400-7	SHCS, LOW HEAD, RoHS, M5 X 10	240
-	-	-	-	-	-	2119580-1	MECHANICAL FEED ASSEMBLY	239
-	-	-	-	-	-	2063440-1	AIR FEED MODULE	238
-	-	-	-	-	-	6-993111-6	PIN, SLOTTED SPRING 3.0 X 14.0	177
-	-	-	-	-	-	8-22280-7	SPRING, COMPRESSION	176
-	-	-	-	-	-	1752353-2	GUIDE PIN, HOLDDOWN	175
-	-	-	-	-	-	1901680-2	GUIDE PIN, HOLDDOWN	174
-	-	-	-	-	-	21045-3	RING, RETAIN, EXTERN, 3/16 CRESCENT	172
-	-	-	-	-	-	994969-1	MAGNET, RARE EARTH HIGH ENERGY	166
-	-	-	-	-	-	240638-1	SPRING, FEED FINGER	163
-	-	-	-	-	-	3-23627-7	PIN, RETAIN, GRVD, 3/16 X .854	137
-	-	REF	REF	-	-	SEE TABLE	MEMORY CHIP, PROGRAMMED	135
-	-	-	-	-	-	1633743-1	SERVO FEED LATCH ASM	133
-	-	-	-	-	-	455888-4	SPACER, CRIMPER	82
-	-	-	-	-	-	2119791-6	DEPRESSOR, WIRE	73
-	-	-	-	-	-	2119956-2	DOCUMENTATION PACKAGE	71
-	-	-	-	-	-	2119740-1	TAG, IDENTIFICATION	67
-	-	-	-	-	-	2168078-1	SCREW, DRIVE, RH, RoHS	66
-	-	-	-	-	-	2119793-1	LIMITER, ADJUSTMENT BOLT	63
-	-	-	-	-	-	992763-5	SCR, SET, SOC, CONE POINT, M3 X 4.0	62
-	-	-	-	-	-	2079383-4	SCR, BHSC, RoHS (M4 X 8)	60
-	-	-	-	-	-	5-18022-5	SCR, HEX HD CAP, M4 X 6.0	59
-	-	-	-	-	-	2063961-1	FEED FINGER	58
-	-	-	-	-	-	2168083-2	SCR, SKT HD CAP, RoHS, M4 X 8.0	57
-	-	-	-	-	-	1-2168083-0	SCR, SKT HD CAP, RoHS, M4 X 10	56
-	-	-	-	-	-	5018030-2	NUT, HEX, REG, RoHS, M4	55
-	-	-	-	-	-	5018030-1	NUT, HEX, REG, RoHS, M3	54
-	-	-	-	-	-	986965-1	NUT, LOCK, HEX, TORQUE (M4)	53
-	-	-	-	-	-	2-18032-2	SCR, SET, FLT POINT M3 X 10.0	52
-	-	-	-	-	-	2119792-2	PAWL, EF, AIR	51
-	-	-	-	-	-	1-1976055-3	STANDOFF, HOLD-DOWN	50
-	-	-	-	-	-	18023-9	SCR, SKT HD CAP M4 X 6.0	49
-	-	-	-	-	-	2119653-1	FEED CAM, POST FEED	47
-	-	-	-	-	-	2119655-5	APPLICATOR BASIC ASSEMBLY, EF	46
-	-	-	-	-	-	1-5018030-0	NUT, HEX, REG, RoHS, M3.5	45
-	-	-	-	-	-	2119369-1	RAM, AMP STYLE, END FEED	44
-	-	-	-	-	-	2079383-7	SCR, BHSC, RoHS (M8 X 25)	41
-	-	-	-	-	-	2119645-1	DISC, NUMBERED FA WIRE ADJUSTMENT	40
-	-	-	-	-	-	2119957-1	APPLICATOR SHIM PACK	39
-	-	-	-	-	-	2119644-3	RAM WASHER, PRECISION	38
-	-	-	-	-	-	2119085-1	FA HEAD, ATLANTIC STYLE	37
-	-	-	-	-	-	2119092-1	BOLT, ADJUSTMENT	35
-	-	-	-	-	-	1-18028-2	WASHER, FLAT, REG M4	33
-	-	-	-	-	-	2168083-9	SCR, SKT HD CAP, RoHS, M4 X 20	31
-	-	-	-	-	-	1-2168083-0	SCR, SKT HD CAP, RoHS, M4 X 10	29
-	-	-	-	-	-	240639-1	STRIPPER (MACHINING)	27
-	-	-	-	-	-	1320906-1	STUD, THREADED	25
-	-	-	-	-	-	1752371-5	PLATE, STRIP GUIDE	24
-	-	-	-	-	-	4-22281-1	SPRING, COMPRESSION	22
-	-	-	-	-	-	1752373-1	DRAG	20
-	-	-	-	-	-	1901259-7	GUIDE, LOWER STRIP	18
-	-	-	-	-	-	1-2079383-1	SCR, BHSC, RoHS (M6 X 12)	17
-	-	-	-	-	-	5-240641-2	SPACER	16
-	-	-	-	-	-	1752360-1	SPACER, HOLD-DOWN	13
-	-	-	-	-	-	240644-9	PLATE, REAR SHEAR	11
-	-	-	-	-	-	690482-6	PLATE, FRONT SHEAR	9
-	-	-	-	-	-	1-1333221-7	ANVIL, EF .130	8
-	-	-	-	-	-	690474-8	BLADE, SLUG	7
-	-	-	-	-	-	1901681-5	HOLDDOWN, TERMINAL	6
-	-	-	-	-	-	3-240641-7	SPACER	5
-	-	-	-	-	-	238009-1	BLOCK, FL CRIMPER SPACER	4
-	-	-	-	-	-	1-2119784-7	CRIMPER, INSULATION O PREMIUM	3
-	-	-	-	-	-	1-455888-2	SPACER, CRIMPER	2
-	-	-	-	-	-	456410-4	CRIMPER, WIRE PREMIUM	1

DIMENSIONS:		TOLERANCES UNLESS OTHERWISE SPECIFIED:		MATERIAL:		FINISH:		WEIGHT:		CUSTOMER ACCESSIBLE PRODUCTION DRAWING	
mm	9 PLC ±.5	1 PLC ±0.5	2 PLC ±0.13	3 PLC ±0.013	4 PLC ±0.001	ANGLES ±.0001	FINISH				

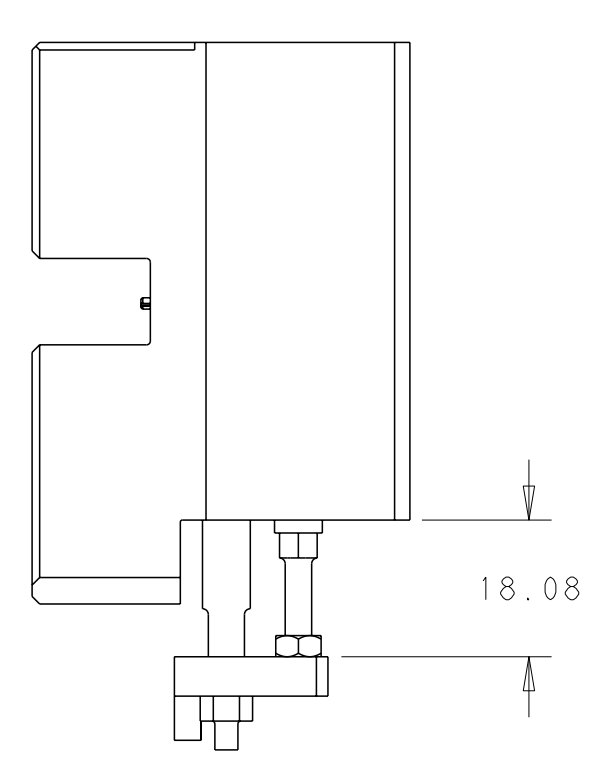
REVISONS		DATE	DWN	APVD
LOC	DIST			



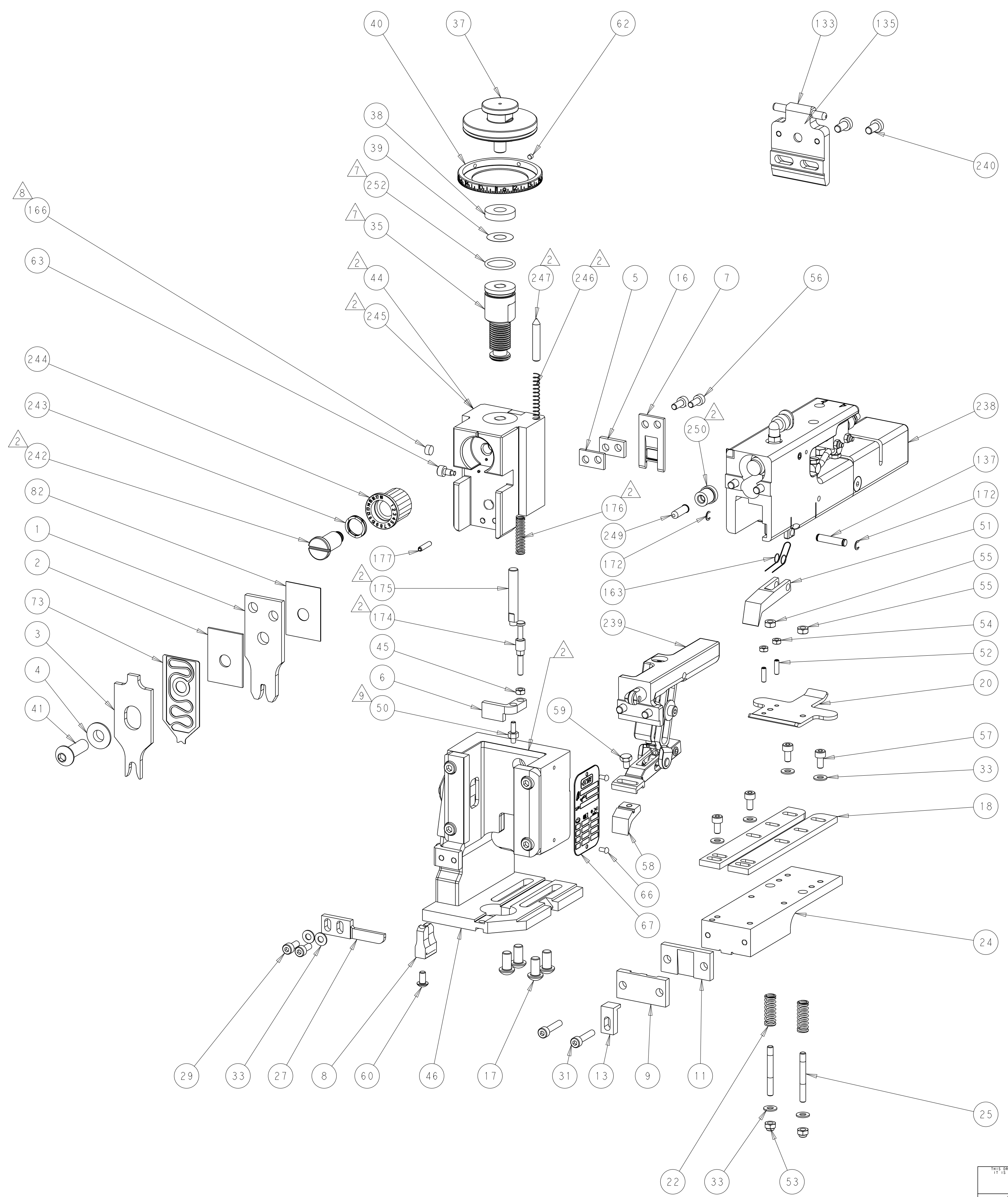
AIR FEED



MECH POST FEED



HOLDDOWN SET-UP



<small>THIS DRAWING IS UNPUBLISHED. RELEASED FOR PUBLICATION. COPYRIGHT 20 BY TYCO ELECTRONICS CORPORATION. ALL RIGHTS RESERVED.</small>		DWN: G. HOFFNER 10MAR2011 CHK: G. BAILEY 11MAR2011 APVD: G. BAILEY 11MAR2011	NAME: G. BAILEY PRODUCT SPEC: - APPLICATION SPEC: - WEIGHT: -	TE Connectivity Harrisburg, PA 17105-3608
DIMENSIONS: mm 	TOLERANCES UNLESS OTHERWISE SPECIFIED: 9 PLC ±.5 1 PLC ±0.13 5 PLC ±0.013 4 PLC ±0.001 ANGLES ±.0001 FINISH: -	SIZE: A1 CAGE CODE: 00779 DRAWING NO: C-2150144	RESTRICTED TO: - SCALE: 1:1 SHEET: 2 OF 2 REV: A1	CUSTOMER ACCESSIBLE PRODUCTION DRAWING